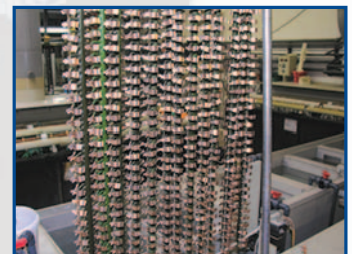
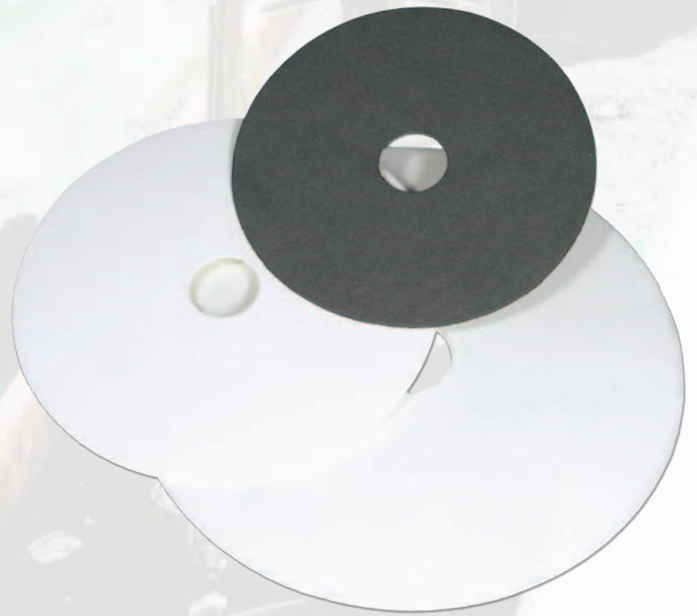


# Filtration

## Filter papers for galvanic baths

Electroplating

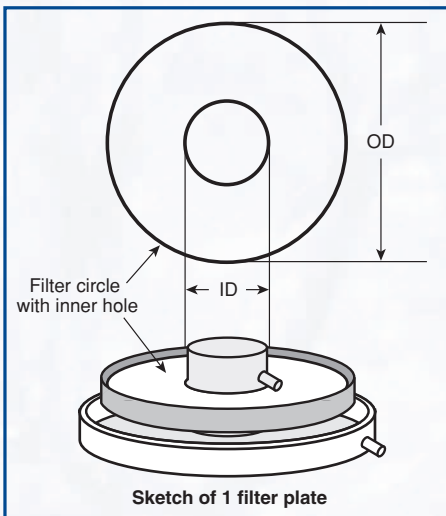


## Filter papers for galvanic baths

### Popular Grades

Grade	Description	Thickness (mm)	Basis weight (g/m <sup>2</sup> )
MN 440	Soft, thick filter paper	1	400
MN 651	Thin filter paper, creped	0,30	90
MN 728	Slow filter paper with ca. 30% charcoal for discoloring colored liquids	0,40	170

### Size specifications



Electroplating baths used for galvanic processes are often cleaned with filter pumps. Usually, such filter pumps consist of 30 – 100 filter plates each equipped with one filter circle with an inner hole. The dimensions of these special filter cuts are specified as:

OD (mm) – ID (mm)  
(eg.: MN 440, 350 – 50 mm)

OD = Outer diameter  
ID = Inner diameter

### Ordering information

	MN 440	MN 651	MN 728
195-60	300 440 012	300 651 008	300 728 011
205-33	300 440 001	300 651 001	300 728 006
210-33	300 440 018	300 651 016	300 728 021
215-32	300 440 033	300 651 009	300 728 024
258-40	300 440 038	300 651 032	300 728 013
295-50	300 440 015	300 651 012	300 728 023
350-60	300 440 003	300 651 003	300 728 035
470-60	300 440 016	300 651 019	300 728 048

further qualities, cuts and sizes on request

Your local distributor:

### SC ADIS INTERNATIONAL SRL

Calea Crangasi Nr. 48, Bucuresti, Romania

T: 021.220.66.30 | M: +40773.74.23.20

office@adis-international.ro

www.adis-international.ro



KATENI 00068/Galvanik en/1/10/11\_2006 PD  
Printed in Germany

Further information and products: [www.mn-net.com](http://www.mn-net.com)

## MACHEREY-NAGEL

MACHEREY-NAGEL GmbH & Co. KG · Neumann-Neander-Str. 6-8 · 52355 Düren · Germany

Germany and international:

Tel.: +49 (0) 24 21 96 90

Fax: +49 (0) 24 21 96 91 99

e-mail: sales-de@mn-net.com

Switzerland:

Tel.: +41 (0) 62 388 55 00

Fax: +41 (0) 62 388 55 05

e-mail: sales-ch@mn-net.com

France:

Tel.: +33 (0) 3 88 68 22 68

Fax: +33 (0) 3 88 51 76 88

e-mail: sales-fr@mn-net.com

USA:

Tel.: +1 610 559 98 45

Fax: +1 610 559 98 78

e-mail: sales-us@mn-net.com



Electroplating